

4K Fixed Turret Network Camera

IPC-T1E8-AF28K



Key Features

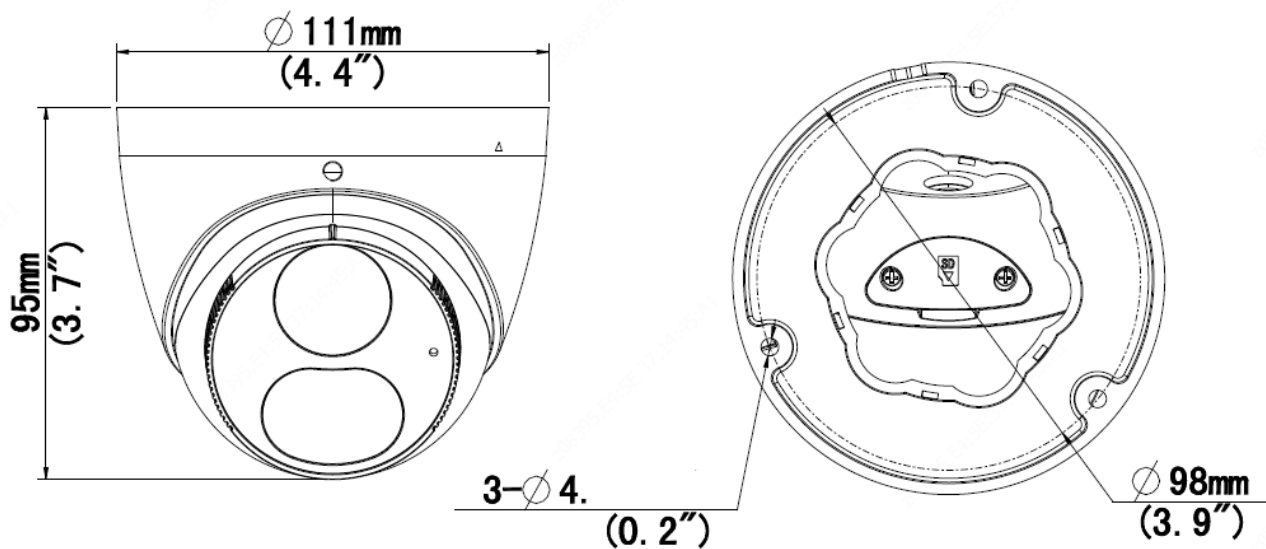
- High quality image with 8MP, 1/2.7" CMOS sensor
- 8MP(3840*2160)@20fps; 5MP(3072*1728)@30/25fps; 4MP(2560*1440)@30/25fps; 2MP(1920*1080)@30/25fps
- Ultra 265, H.265, H.264, MJPEG
- Easystar technology ensures high image quality in low illumination environment
- 120dB true WDR technology enables clear image in strong light scene
- Support 9:16 Corridor Mode
- Built-in Mic
- Smart IR, up to 30m (98ft) IR distance
- Supports 256 G Micro SD card
- IP67 protection
- Support PoE power supply

Specifications

IPC-T1E8-AF28K					
Camera					
Sensor	1/2.7", 8.0 megapixel, progressive scan, CMOS				
Minimum Illumination	Colour: 0.005Lux (F1.6, AGC ON) 0Lux with IR on				
Day/Night	IR-cut filter with auto switch (ICR)				
Shutter	Auto/Manual, 1 ~ 1/100000s				
Adjustment angle	Pan: 0° to 360°, Tilt: 0° to 80°, Rotate: 0° to 360°				
S/N	>56dB				
WDR	120dB				
Lens					
Lens Type	2.8mm @1.6, Fixed-focal				
Lens Mount	M12				
Angle of View (H)	112.9°				
Angle of View (V)	59.1°				
Angle of View (O)	121.2°				
DORI					
DORI Distance	Lens (mm)	Detect (m)	Observe (m)	Recognize (m)	Identify (m)
	2.8	84.0	33.6	16.8	8.4
Illuminator					
IR Range	Up to 30m (98 ft) IR range				
Wavelength	850nm				
IR On/Off Control	Auto/Manual				
Video					
Video Compression	Ultra 265, H.265, H.264, MJPEG				
H.264 code profile	Baseline profile, Main profile, High profile				
Frame Rate	Main Stream: 8MP (3840*2160), Max 20fps; 5MP (3072*1728), Max 30fps; 4MP (2560*1440), Max 30fps; 1080P (1920*1080), Max 30fps; Sub Stream: 1080P (1920*1080), Max 30fps; 720P (1280*720), Max 30fps; D1 (720*576), Max 30fps; 640*360, Max 30fps; 2CIF (704*288), Max 30fps; CIF (352*288), Max 30fps;				
Video Bit Rate	128 Kbps~16 Mbps				
U-code	Supported				
9:16 Corridor Mode	Supported				
OSD	Up to 4 OSDs				
Privacy Mask	Up to 4 areas				
ROI	Up to 8 areas				
Motion Detection	Up to 4 areas				
Image					
White Balance	Auto/Outdoor/Fine Tune/Sodium Lamp/Locked/Auto2				
Image Setting	Image rotation, brightness, saturation, contrast, sharpness, gain adjustable by web browser				
Digital Noise Reduction	2D/3D DNR				
Smart IR	Support				

Flip	Normal/Vertical/Horizontal/180°/90°Clockwise/90°Anti-clockwise
Dewarping	N/A
HLC	Supported
BLC	Supported
Defog	Digital Defog
Events	
Intelligent Detection	Intrusion detection (based on human)
Basic Detection	Motion detection, tampering alarm, audio detection
General Function	Watermark, IP address filtering, tampering alarm, access policy, ARP protection, RTSP authentication, user authentication
Audio	
Audio Compression	G.711
Suppression	Supported
Sampling Rate	8KHZ
Storage	
Edge Storage	Micro SD, up to 256GB
Network Storage	ANR, NAS(NFS)
Network	
Protocols	IPv4, IGMP, ICMP, ARP, TCP, UDP, DHCP, PPPoE, RTP, RTSP, RTCP, DNS, DDNS, NTP, FTP, UPnP, HTTP, HTTPS, SMTP, 802.1x, SNMP, QoS, SSL/TLS,
Compatible Integration	ONVIF (Profile S, Profile G, Profile T), API, SDK
User/Host	Up to 32 users. 2 user levels: administrator and common user
Security	Password protection, Strong password, HTTPS encryption, Export operation logs, Basic and digest authentication for RTSP, Digest authentication for HTTP, TLS 1.2, WSSE and digest authentication for ONVIF
Client	Uniarch Client Uniarch APP
Web Browser	Plug-in required live view: IE9+, Chrome 41 and below, Firefox 52 and below
	Plug-in free live view: Chrome 57.0+, Firefox 58.0+, Edge 16+
Interface	
Network	1 * RJ45 10M/100M Base-TX Ethernet
Built-in Mic	Supported
General	
Power	DC 12V±25%, PoE (IEEE 802.3af)
	Power consumption: Max 4.5W
Power Interface	Ø 5.5mm coaxial power plug
Dimensions (L × W × H)	Φ111 x 95mm (Φ4.4" x 3.7")
Weight	0.36kg (0.79lb)
Material	Metal
Working Environment	-30°C ~ 60°C (-22°F ~ 140°F), Humidity: ≤95% RH (non-condensing)
Storage Environment	-30°C ~ 60°C (-22°F ~ 140°F), Humidity: ≤95% RH (non-condensing)
Surge Protection	4KV
Reset Button	N/A
Ingress Protection	Ingression protection: IP67

Dimensions

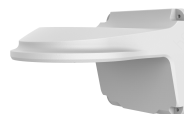


Accessories

B-JB03-G-IN



B-WM03-D-IN



www.uniview.com/uniarch

©2021 Zhejiang Uniview Technologies Co., Ltd. All rights reserved.

*Product specifications and availability are subject to change without notice.